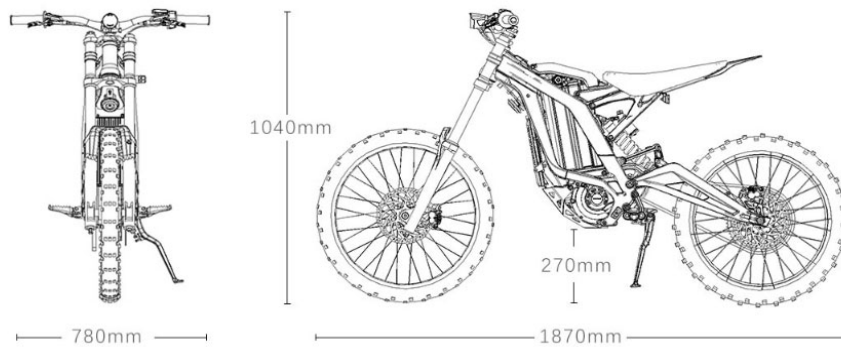


Dimension & Weight

Length:	1870mm
Width:	780mm
Height:	1040mm
Min. Ground clearance:	270mm
Wheelbase:	1260mm
Vehicle weight:	50kg
Weight distribution of Fr. Wheel axle:	24kg
Weight distribution of Rr. Wheel axle:	26kg
Max. load capability:	100kg



Angle & Stroke

Forward inclining angle:	26°
Steering angle:	46°
Fr. Absorbers stroke:	200mm
Rr. Absorber/Wheel stroke:	87/210mm

Performance & transmission

Max. motor rotation speed:	4500r/min
Cooling method:	Air-cooled
Climbing ability:	35°
Range:	100km (@ 20km/h)
Max. torque:	200N.m
gearshift type and transmission ratio:	1:7.6
Transmission type:	Belt + Chain
Belt brand and model:	HTD 8M

Frame & Absorbers

Frame type:	Aluminum alloy double cradles design
Fr. Absorber:	Double-tube telescopic shock absorber
Rr. Absorber:	Multi-link central shock absorber

Tires & Brake

Tire size (Fr.):	70/100-19
Tire size (Rr.):	70/100-19
Wheel type (Fr.):	19x1.4
Wheel type (Rr.):	19x1.4
Fr. brake type:	Bilateral 4-piston hydraulic disc brake
Rr. Brake type:	Bilateral 4-piston hydraulic disc brake

Electronic parts

Controller Type:	48/60V self-adaptable
ECU type:	GPS Data connection
Horn:	European standard horn
Charger type:	Constant current & voltage 58.8V-5A
Battery specs:	51.8V25AH Battery specs
Headlight type :	German standard bicycle headlight (v) (w) (mm)
Brake lamp/tail lamp type:	German standard bicycle tail lamp (v) (w)
USB Power source:	USB-2.1A single socket
single socket:	IBN negative display dashboard